



Semiautomatic labelling machine E03

A practical and effective solution for small and medium-scale serial production

The semiautomatic labelling machine E03 is used for applying labels on bottles and other containers of similar cylindrical shape. The machine can apply one or two self-adhesive labels, which are wound on a label roll. A built-in optical sensor enables precise label positioning in the desired spot.

A robust construction and quality materials guarantee longevity, reliability, and easy maintenance of the device.



Technical data:

- ▶ capacity: 500 to 900 bottles per hour (one label)
- ▶ possible application of front and back label on the same object (from one label roll)
- ▶ built-in microprocessor control
- ▶ grid connection power: 0.2 kW
- ▶ voltage: 230V 50/60Hz
- ▶ framework made of stainless material



Brilliant products



Semiautomatic labelling machine

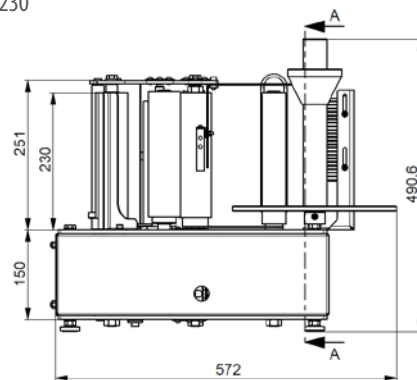
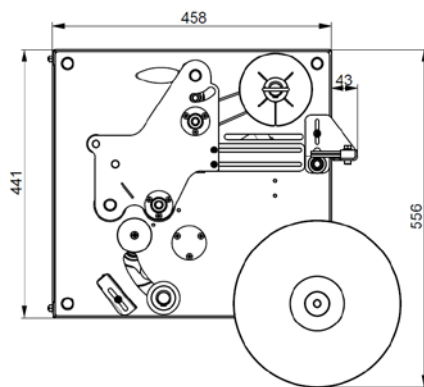
Model E03_230

Model E03 230

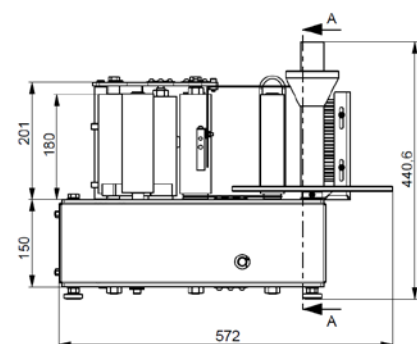
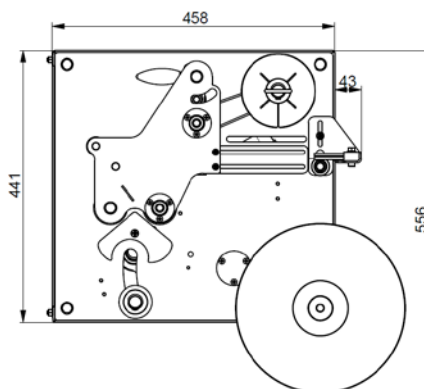
Roll height: 230 mm
 Bottle diameter: 55 - 115 mm
 Max. label height: 190 mm
 Max. cone angles: $\leq 1^\circ$
 Weight: approx. 55 kg

Model E03 180

Roll height: 180 mm
 Bottle diameter: 47 - 100 mm
 Max. label height: 140 mm
 Max. cone angles: $\leq 1^\circ$
 Weight: approx. 53 kg



Model E03_180



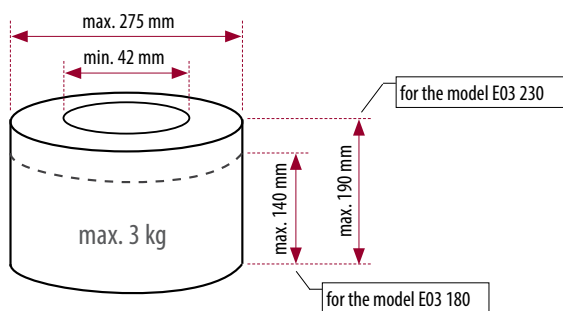
Additional photocell (option)

The additional photocell detects the existing label or emblem on the bottle and therefore enables precise positioning of the label or the second label on the desired place on the bottle.

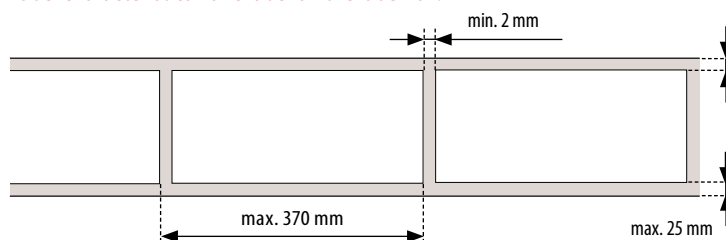


Required label roll characteristics:

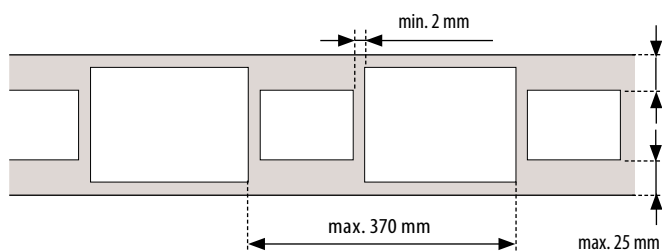
- ▶ label roll inside diameter ≥ 42 mm
- ▶ label roll outside diameter ≤ 275 mm
- ▶ label roll weight: max 3 kg



Label characteristics - one label on the label roll:



Label characteristics - two labels on the label roll:



SKRLJ Brilliant products

Škrj d.o.o.
 Batuje 90 · SI-5262 Črniče · Slovenia
 tel: 00386 5 364 35 00 · fax: 00386 5 364 35 25
 sk@sk-skrj.com · www.sk-skrj.com